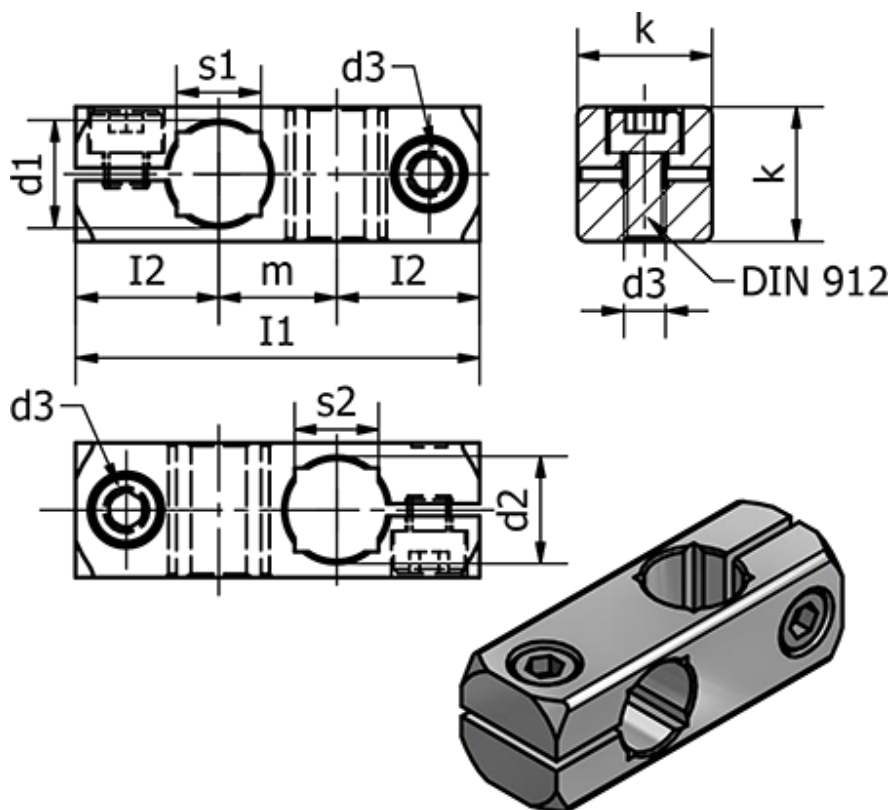


Article number: 20474B12B12ELS

Description: E+G Two-way clamp mounting - GN 474-B12-B12-ELS

Measures



Clamping kit for $d3 = \text{GN 511-M5-16}$

$d1 \text{ h11} = 12$

$d2 \text{ h11} = 12$

$d3 = 5$

$I1 = 48$

$I2 = 17$

$k = 16$

$m = 14$

$s1 = 10$

$s2 = 10$

Weight (g) = 25